

# Ventless Hood

## Model OVH-10



Universal Ceiling Mount (UCM) Skirt pictured.

- The compact, simple design of the OVH-10 Ventless Hood eliminates the need for expensive kitchen or building modifications, and the hassles of dealing with installation, or expansion, of a conventional ventilation hood system.
- Our one-of-a-kind, stainless steel, recirculating hood can be used with certain UL listed appliances and incorporates Giles proven 3-stage Electrostatic Air Cleaning system, which effectively meets grease-laden vapor removal requirements of UL-197 (and applicable UL-710B sections) for a variety of foodservice equipment.

### Design Features

#### Ventless Hood System 3-Stage Air Cleaning:

**Stage 1** - Stainless Steel Baffle Filter traps large grease particulate.

**Stage 2** - Electrostatic Air Cleaner (EAC) negatively charges smaller particulate, allowing it to be electrostatically collected on fins within the cell.

**Stage 3** - Disposable Charcoal Filter helps eliminate cooking odors.



- Easy-open, hinged, Filter Access Door.
- Exhaust air diverter reduces required ceiling clearance.

#### Optional Features Available:

- Interlocked Start (ILS, Push-to-Start); feature required by certain jurisdictions.
- Fire Suppression system configuration (piping, nozzles & fusible link conduit).
- Interlocked appliance power receptacle and Hood power cord with plug provides "plug & play" capability.
- 50 Hz wiring configuration.

Many different **OVH-10 Hood Skirt** designs have been created, which allow for direct mounting of the Hood to a specific make and model of ovens, conveyor ovens and rotisseries. See the following Order Sheet Section, or contact Giles to see if there is one available for your particular application.

### Appliance Constraints

Equipment Type	Max. Input Power (kW)	Clearances		
		Skirt Bottom to Top of Door or Conveyor Belt	Skirt Bottom to Top of Oven	Skirt Overhang @ Heated Oven Opening
Ovens	11.5	6" [153mm] max.	1" [25.4mm] min.	6" [153mm] min.
Conveyor Ovens	11.5	30" [762mm] max.	1" [25.4mm] min.	6" [153mm] min.
Rotisseries	6.2	6" [153mm] max.	1" [25.4mm] min.	6" [153mm] min.

**IMPORTANT!** Hood is listed **ONLY** for use with electrically heated appliances (natural or LP gas is **NOT** allowed).

### Listings



**Giles Foodservice Equipment**  
**ISO 9001 Registered • Committed to Quality**

2750 Gunter Park Drive West • Montgomery, AL 36109 USA  
 Phone: 334.272.1457 • Toll Free: 800.554.4537 • Fax 334.239.4117  
 Website: www.gfse.com • Email: services@gfse.com

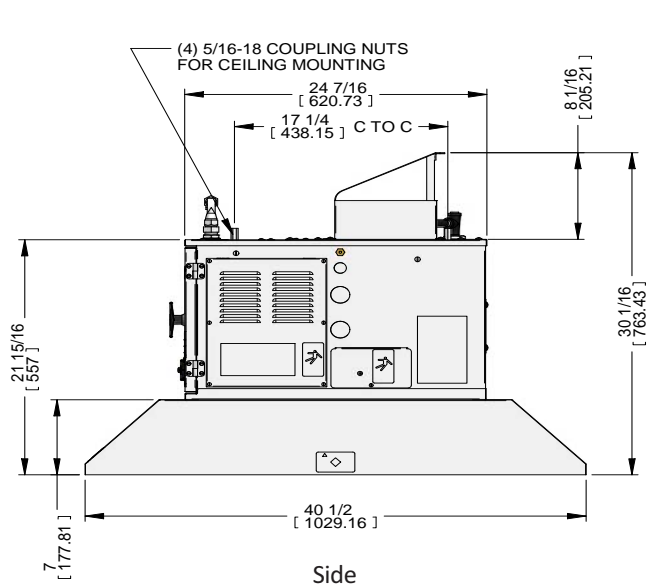
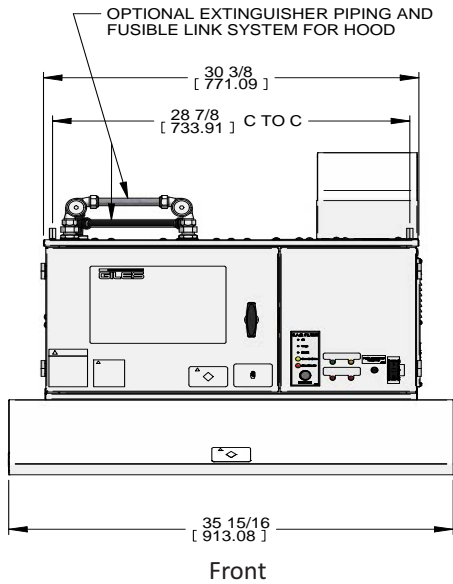


# Ventless Hood

## Model OVH-10

Project Name/No: \_\_\_\_\_ Item No: \_\_\_\_\_

Quantity: \_\_\_\_\_ SIS#: \_\_\_\_\_ AIA/CSI#: \_\_\_\_\_



**NOTE:**  
Skirt style shown is the Universal Ceiling Mount (UCM). Other styles may result in differing overall dimensions

Inches [mm]

### Specifications

Continuing product improvement may change specifications and/or design without notice. In such cases, the purchaser shall not be entitled to corresponding changes, improvements, or replacement of previously purchased equipment.

#### Construction:

20 to 18-Ga Stainless Steel

#### Dimensions: Dependent on skirt style, UCM style dimension are given

Width: 35-15/16" [913 mm]

Depth: 40-1/2" [1029 mm]

Height: 30-1/16" [764 mm]

#### Ventless Hood:

Exhaust CFM: 215 - 307

Approx. Decibel Level: 65 dB

Uncrated Weight: 130 lbs [59 kg] (weight can vary by skirt style)

#### Electrical Specifications:

208 - 220 - 240 Volt: 1-Phase: 3 - 3 - 3 Amps

(Service cord is not standard, may be ordered as option)

#### Product Designation: OVH-10

#### Shipping Specifications:

Crated Weight: 221 lbs [100.2 kg]

Crated Cube: 49" X 47" X 33" = 43.9 cu ft

[1245mm X 1194mm X 838mm = 1.243 cu m]

Freight Class: 125

### Accessories Included

Includes: (1) Baffle Filter, (1) EAC Filter Cell, (1) Charcoal Filter, (1) EAC Soak Tank & Operation Manual.

### How To Specify

#### Local Codes

Confirm that local code permits use of Ventless Hoods.

#### Appliance Constraints

Verify that the appliance is within the specified hood constraints (see front of this page). Please contact Giles if there is a question about whether the OVH-10 is approved for your intended appliance application.

#### Electrical Specifications

Determine if available electrical specifications comply with the power supply at intended installation location.

#### Determine OVH-10 Model

See the following Order Sheet for list of available Direct Mount OVH-10 Hoods. If intended appliance is not listed, specify the Universal Ceiling Mount (UCM) model, or contact Giles about the possibility of creating a skirt for the particular application.

#### Determine Options desired:

##### - Interlocked Start Option (ILS, Push-To-Start Feature)

Certain jurisdictions (mainly LA County CA) require that the Hood and served appliance cannot restart after power interruption until attended by the user. Consult local code officials.

#### Options (continued):

##### - Fire Extinguishing System

Local code may require this type Hood be equipped with a Fire Extinguishing System. The option provides factory-installed piping, nozzles, and fusible link conduit and brackets. Other components and final system installation must be performed by a certified Fire Protection Agent; **provided by customer**.

##### - 50-Hz Configuration

Specify this option if the hood is for export to a location requiring 50-Hz power.

##### - Receptacle Option

A built-in, interlocked, power receptacle for the appliance and a plug-in power cord on the Hood provides "plug & play" functionality. Plug Hood into a proper wall receptacle; plug appliance into the built-in Hood receptacle. Eliminates need for field wiring by professional electricians. Appliance electrical load is limited to 50A. Please contact Giles for details.

#### Determine Additional Accessories needed:

Purchased separately; specify part number & quantity.

#### Shipping:

Specify preferred shipping method.

## Order Sheet for OVH-10

### Select Hood Model (Choose Ceiling Mount - OR - one from the list of available Direct Mount models)

#### • Ceiling Mount Hood over Appliance

<input checked="" type="checkbox"/>	Part No.	Hood Description	Hood Electrical Spec	Appliance Manufacturer	Model	Oven Type
	79873	HOOD, OVH-10, UCM, 208-240/60/1	208-240/60/1	All	Universal	See Appliance Constraints

#### • Direct Mount Hood to Appliance

<input checked="" type="checkbox"/>	Part No.	Hood Description	Hood Electrical Spec	Appliance Manufacturer	Model	Oven Type
	71130	HOOD, OVH-10, APW 1422	208-240/60/1	APW Wyott	1422	Conveyor
	79881	HOOD, OVH-10, CTX-24	208-240/60/1	Middleby-Marshall	CTX-24	Conveyor
	79006	HOOD, OVH-10, CTX-26	208-240/60/1	Middleby-Marshall	CTX-G26	Conveyor
	71714	HOOD, OVH-10, BELLECO	208-240/60/1	Belleco	MGD-18	Conveyor
	79897	HOOD, OVH-10, HOLMAN QM14	208-240/60/1	Holman	QM14	Conveyor
	71555	HOOD, OVH-10, HOLMAN QT14	208-240/60/1	Holman	QT14	Conveyor
	71531	HOOD, OVH-10, HOLMAN 214HX	208-240/60/1	Holman	214HX	Conveyor
	79877	HOOD, OVH-10, LINCOLN 1300	208-240/60/1	Lincoln	1300 SERIES	Conveyor
	71424	HOOD, OVH-10, LINCOLN 2500	208-240/60/1	Lincoln	2500 SERIES	Conveyor
	71546	HOOD, OVH-10, SAVORY SCT-10	208-240/60/1	Savory	SCT-10	Conveyor
	71547	HOOD, OVH-10, Q-MATIC 20E	208-240/60/1	Q-Matic	20E	Conveyor
	79885	HOOD, OVH-10, BLODGETT CTB1	208-240/60/1	Blodgett	CTB-1 / 2, CTBR-1 / 2	Oven
	79889	HOOD, OVH-10, BP P44S	208-240/60/1	Baker's Pride	P44S	Deck Oven
	71361	HOOD, OVH-10, BRICKLYN	208-240/60/1	Bricklyn	QUICK BRICK OVEN	Oven
	71442	HOOD, OVH-10, CLVLND OES-6.08 (FRNT FILT)	208-240/60/1	Cleveland	OES 6.08	Oven
	71443	HOOD, OVH-10, CLVLND OES-6.08 (SIDE FILT)	208-240/60/1	Cleveland	OES 6.08	Oven
	70972	HOOD, OVH-10, MOFFAT-31	208-240/60/1	Moffat	31	Oven
	70974	HOOD, OVH-10, MOFFAT-32	208-240/60/1	Moffat	32	Oven
	79893	HOOD, OVH-10, ROFRY	208-240/60/1	Rofry	ROFRY	Oven
	71126	HOOD, OVH-10, HOBART HR5	208-240/60/1	Hobart	HR5	Rotisserie
	71554	HOOD, OVH-10, GILES RT-5	208-240/60/1	Giles	RT-5	Rotisserie
	71572	HOOD, OVH-10, LANG EHS-PP	208-240/60/1	Lang	EHS-PP	Oven

#### • Select Option(s) to be factory installed (Choose Standard or combination of Options)

<input checked="" type="checkbox"/>	Option Code	Description
	-----	STANDARD - NO OPTIONS
	1	INTERLOCKED START (ILS, PUSH-TO-START)
	3	FIRE EXTINGUISHING SYSTEM PIPING & LINK CONDUIT
	4	PLUG & RECEPTACLE, 250V, 1-PH, 50A, NEMA 6-50
	5	PLUG & RECEPTACLE, 250V, 3-PH, 50A, NEMA 15-50
	6	50-Hz POWER

**May specify ONLY (1) of these Options per Hood ordered**

To specify Hoods with Options, append desired Option Code (or multiple Codes in ascending order) to the base Hood Part Number as: **XXXXX-1, XXXXX-13, XXXXX-35, etc.** Specify no Code for standard Hood.

#### • Select Extra Items - Sold separately (specify quantity)

Qty.	Part No.	Description
	22360	EAC FILTER
	31963	CHARCOAL FILTER
	39325	EAC SOAK TANK

### Giles Foodservice Equipment

2750 Gunter Park Drive West • Montgomery, AL 36109 USA  
 Phone: 334.272.1457 • Fax 334.239.4117  
 Phone Toll Free: 800.554.4537  
 Website: www.gfse.com • Email: services@gfse.com