

# Counter-Top Breeding & Batter Station

## Model BBT-CT



Preparing fresh chicken for frying was never simpler than with the Giles Counter-Top Breeding and Batter Station. This variation of our proven cabinet model BBT streamlines the breading process by consolidating the operation into a single compact counter-top station.

All stainless steel construction for durability and easy cleaning.

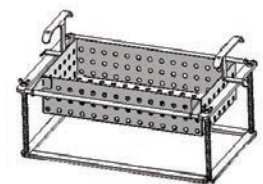
Requires some field assembly; hardware and tool provided.

### Design Features

- Canted Shelf holds container of fresh cut chicken pieces ready for breading application.
- Stainless steel 6" deep Batter Dip Pan and 8" Breading Pan; lift out easily for cleaning.
- Uniquely designed Dunking Basket holds pieces for dipping into a batter dip solution and pouring into breading pan. When not being used, the Basket hangs conveniently over the pan lip, ready for next use.
- Removable Staging Tray; attaches to either side of unit to hold breaded product prior to placing into fryer.
- Unit comes with a plastic Food Tote w/Lid and a plastic Colander.

### SPRING-LOADED DUNK BASKET

The unit is also available with an optional spring-loaded Dunking



Basket, designed to sit in the Batter Dip Pan. The Basket is hinged, allowing for pieces to easily be dumped into the breading pan after dipping.

### Listings



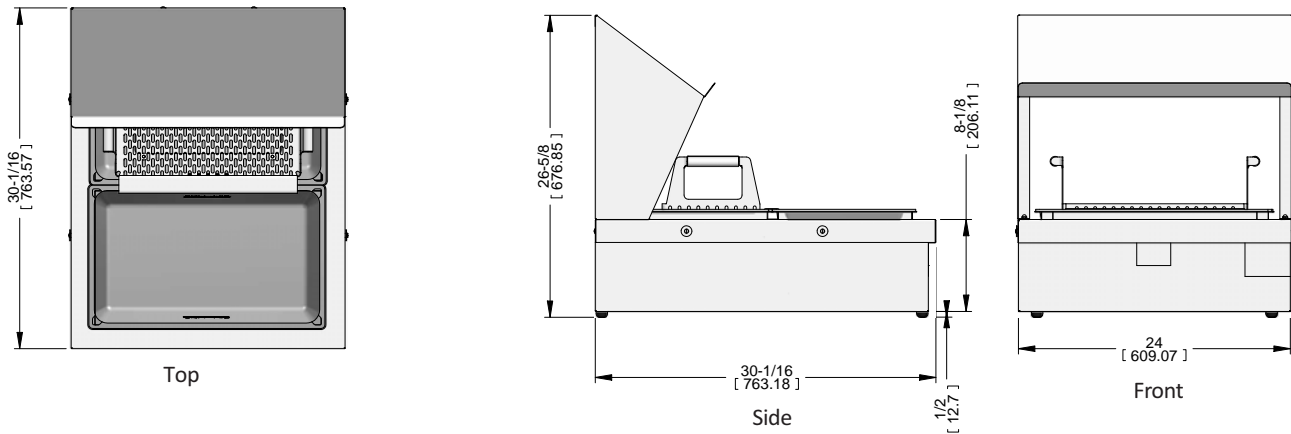
### Giles Foodservice Equipment

An ISO 9001-2008 Registered Company • Committed to Quality  
2750 Gunter Park Drive West • Montgomery, AL 36109 USA  
Phone 334.272.1457 • Fax 334.239.4117 • Toll Free: 800.554.4537  
Web Site: www.gfse.com • Email: services@gfse.com

# Breading & Batter Station

## Model BBT-CT

Item No.: \_\_\_\_\_  
 Quantity: \_\_\_\_\_  
 Project Name: \_\_\_\_\_  
 SIS#: \_\_\_\_\_  
 AIA/CSI#: \_\_\_\_\_



Inches [mm]

### Specifications

Giles reserves the right to change specifications and product design without notice. Such revisions do not entitle the buyer to corresponding changes, improvements, additions or replacement of previously purchased equipment.

#### Construction:

18-Ga Stainless Steel

#### Dimensions:

Width: 24" [610 mm]

Depth: 30-1/16" [764 mm]

Height: 26-5/8" [677 mm]

**Breading Pan:** 20"(W) X 12-13/16"(L) X 8"(D)  
 [508 mm X 325 mm X 203 mm]

**Batter Dip Pan:** 20"(W) X 13"(L) X 6"(D)  
 [508 mm X 330 mm X 152 mm]

**Food Tote:** 18"(W) X 26"(L) X 6"(D)  
 [457 mm X 660 mm X 152 mm]

#### Listings:



**Product Designation:** BBT-CT

#### Shipping Specifications:

Crated Weight: 105 lbs [48 kg]

Crated Cube Size:

40" X 48" X 28" = 31 cu ft

[1016 mm X 1219 mm X 711 mm = 0.88 cu m]

### Accessories Included

Unit ships with (1) Breading Pan, (1) Batter Pan, (1) Plastic Food Tote, (1) Plastic Lid, (1) Plastic Colander, and Hanging Dunking Basket.

**NOTE:** The Holding Shelf is field installed, hardware is included.

### How To Specify

#### 1. Model

Specify part number from the following:

✓	Qty	Model	Part Number
		BBT-CT (Std)	71796
		BBT-CT w/Spring Dunk Basket	79210

#### 2. Accessories (additional charges)

Specify part number and quantity of additional accessory items needed:

✓	Qty	Model	Part Number
		Breading Pan, 8"	78607E
		Batter Dip Pan, 6"	38902
		Plastic Food Tote, White	70875
		Plastic Food Tote Lid, White	74700
		Plastic Colander	71725
		Spring-loaded Dunk Basket Assy	39065
		Hanging Dunk Basket	95410

#### 3. Shipping

Specify the shipping method

### Giles Foodservice Equipment

2750 Gunter Park Drive West • Montgomery, AL 36109 USA  
 Phone 334.272.1457 • Fax 334.239.4117 • Toll Free: 800.554.4537  
 Web Site: www.gfse.com • Email: services@gfse.com