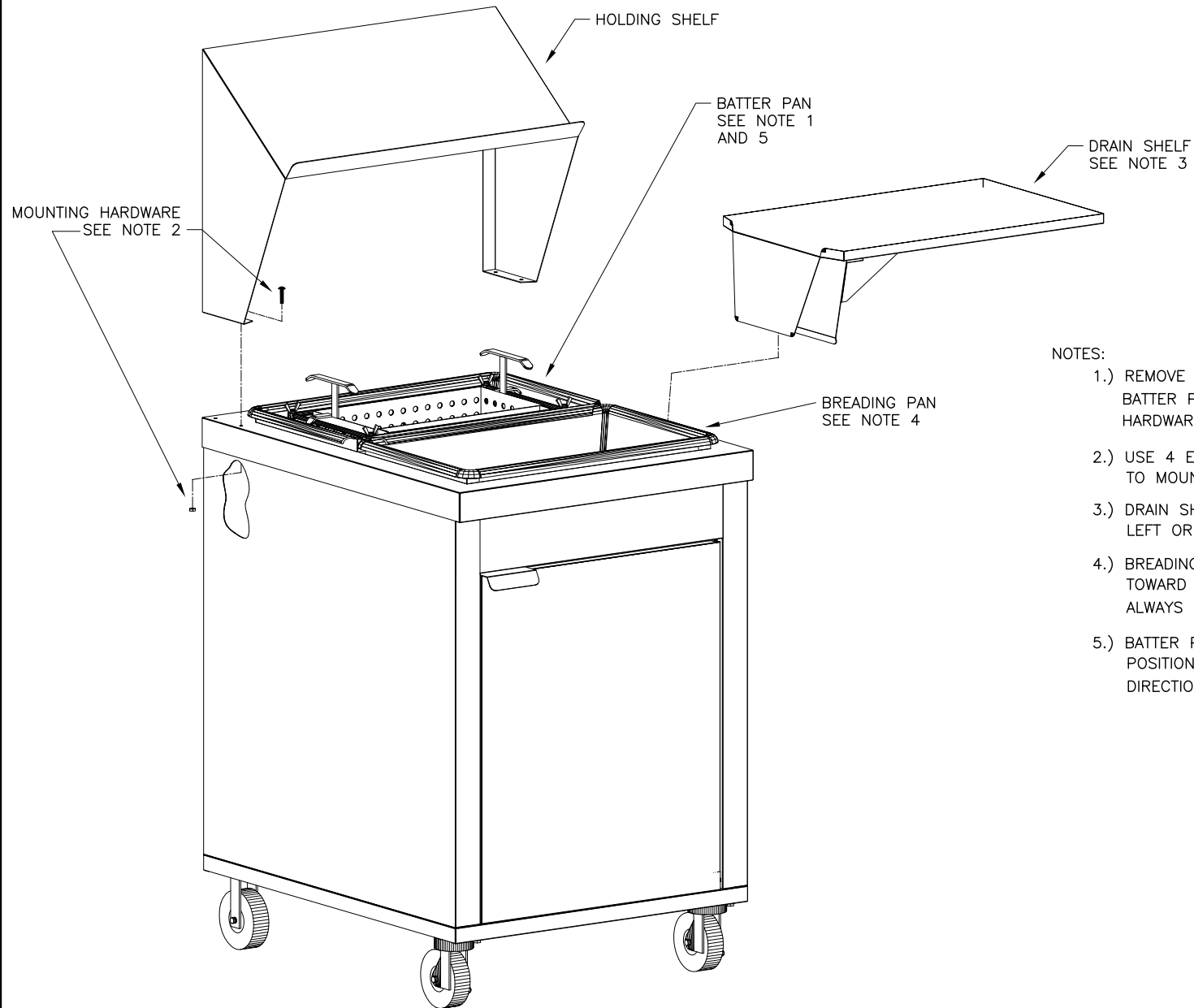


FINAL FIELD ASSEMBLY DIRECTIONS



NOTES:

- 1.) REMOVE DUNK BASKET ASSEMBLY AND METAL BATTER PAN FOR ACCESS TO MOUNTING HARDWARE. HARDWARE HAS BEEN ATTACHED TO CABINET TOP.
- 2.) USE 4 EACH OF SCREWS AND LOCK NUTS TO MOUNT HOLDING SHELF TO CABINET TOP.
- 3.) DRAIN SHELF CAN BE MOUNTED FOR EITHER LEFT OR RIGHT HAND USE.
- 4.) BREEDING PAN (DEEP PAN W/PLUG) TO BE PLACED TOWARD FRONT OF UNIT. SIFTER UNDERNEATH SHOULD ALWAYS BE POSITIONED UNDER DRAIN HOLE.
- 5.) BATTER PAN TO BE PLACED TOWARD REAR OF UNIT. POSITION DUNKING BASKET TO SWIVEL IN FORWARD DIRECTION TO DEPOSIT PRODUCT INTO BREEDING.